

Intrinsically Safe (Exia)



Features

- Zone 0, Zone 1 and Zone 2 use.
- Ex ia IIC T4.
- ATEX/IECEX certified (Group II Surface).
- ATEX/IECEX certified (Group I Mining).
- IECEX certified, Ga.
- FM Approved – Class I, Div. 1, Groups A-D.
- CSA certified.
- Brazilian (Inmetro) certified.
- IP65.
- Certified temperature: -20°C to +55°C.
- Volume control as standard.
- Up to 103 dB(A).
- 26 different sound outputs, user selectable by internal switches.
- Encapsulated electronics.
- Second tone selectable using third wire.

Introduction

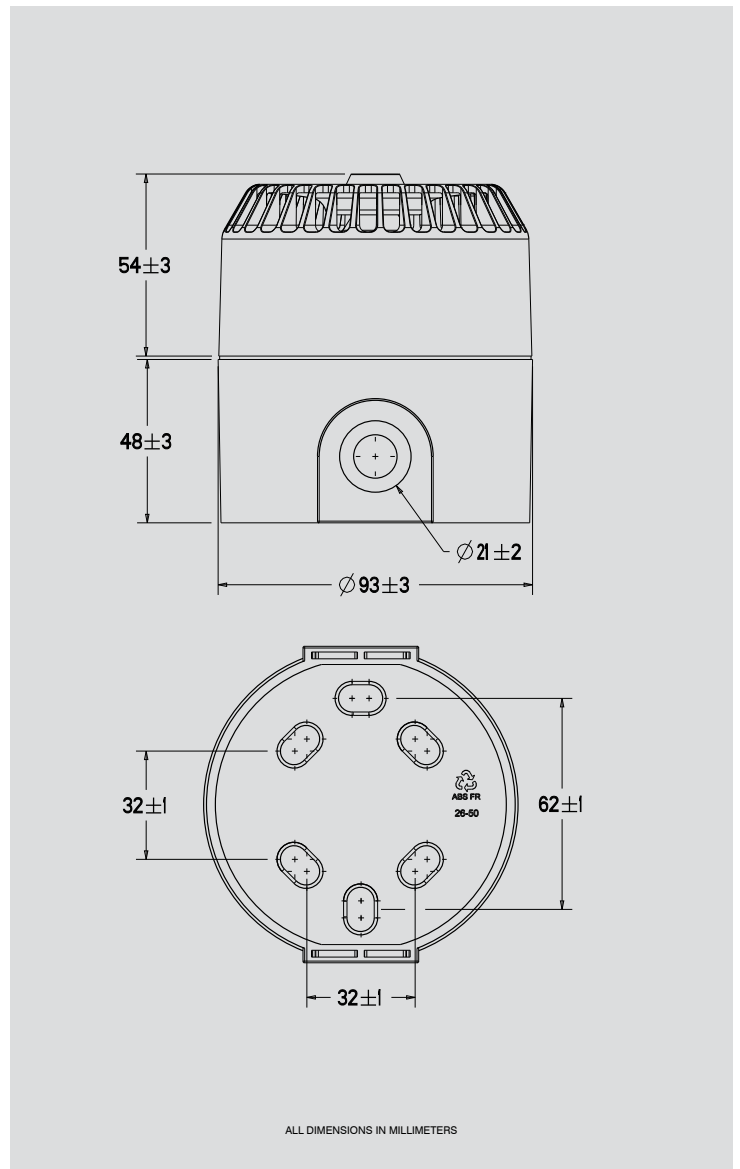
This range of lightweight, intrinsically safe Sounders have been designed with a high weatherproof rating to cope with the harsh environmental conditions found offshore and onshore in the oil, gas and petrochemical industries. The DB5 can also be used in the mining industry.

The unit is available in 2 models: 12V and 24V.



Certification and Specification

ATEX Ex ia: (Surface)	Cert. no. BAS00ATEX1259X. Certified to: EN60079-0, EN60079-11, EN60079-26. Ex ia IIC T4 Ga.
ATEX Ex ia: (Surface sys)	Cert. no. Baseefa10Y0054. Certified to: EN60079-25. Ex ia IIC T4 Ga.
ATEX Ex ia: (Mining)	Cert. no. MECS01ATEX4260. Certified to: EN50014, EN50020, EN50303. I M 1, EEx ia I.
ATEX Ex ia: (Mining sys)	Cert. no. 94Y7095. Certified to: EN50039. Ex ia I.
IECEx Ex ia: (Surface)	Cert. no. IECEx BAS 08.0043x. Certified to: IEC60079-0, IEC60079-11, IEC60079-26. Ex ia IIC T4 Ga.
IECEx Ex ia: (Mining)	Cert. no. IECEx ITA 15.0010X. Certified to: IEC60079-0, IEC60079-11. Ex ia I Ma.
FM:	Job identification. 3008604 Intrinsically safe for: Class I division 1 groups A, B, C & D Ex ia I Ma.
CSA:	Cert. no. 1136420 (LR 79122-1) Certified to: CAN/CSA C22.2 No's. 0-M91, 142-M1987, 157-92 Class I groups A, B, C & D
ABS:	American Bureau of Shipping type approval.
Material:	A.B.S. (Acrylonitrile Butadiene Styrene).
Finish:	Available in Red as standard.
Sound Output:	100± 3dB(A) for 12V and 24V versions. Typical max value only – variable with tone. Tones comply with BS 5839 Part 1.
Current Consumption:	24V model – 14 mA max. nominal. 12V model – 12 mA max. nominal.
Certified Temp:	-20°C to +55°C.
Weight:	0.3kg.
Entries:	2 x M20 side entries.
Terminals:	6 off suitable to accept up to 2.5mm ² cable, for looping.



Ordering Requirements

The following code is designed to help in selection of the correct unit. Build up the reference number by inserting the code for each component into the appropriate box.

Model

DB5

Certification

Certification	Code
ATEX (Surface)	B
ATEX (Mining)	MB*
IECEx (Surface)	J
IECEx (Mining)	MJ
FM	FM
CSA	C
Inmetro	IM

*12V only.

Voltage

Voltage	Code
12V	012
24V	024

Tag Label

Tag Label	Code
None	N
Yes	Y*

*Please specify.

Finish

Finish	Code
Red	R
Special	S*

*Please specify.